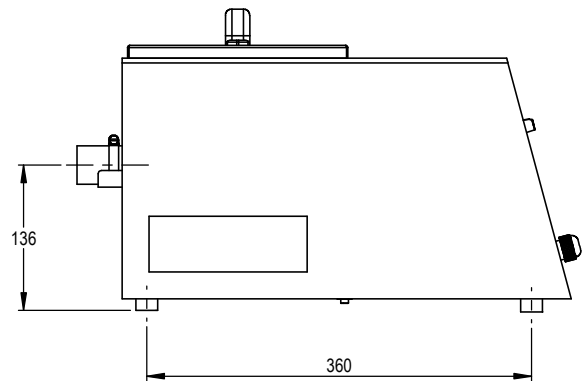
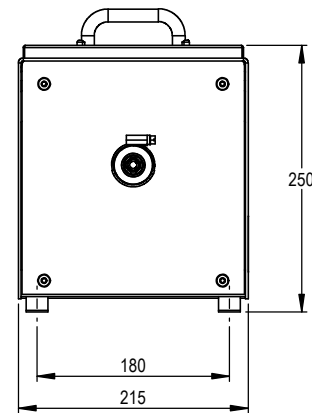
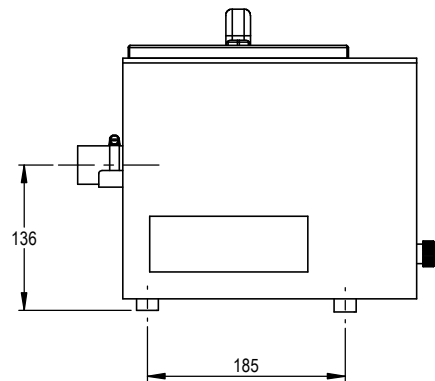



31-FS-GE



31-FS-00

| | | | |
|---|---|--|---|
| Material: | | Title: Feeder 30 | |
| Finish: | | Descr.: Feeder 30 series overview | |
| Break sharp edges: 0,5 x 45° | General roughness: 1,6 um | Project ID: Feeder 30 | |
| Not specified radii: R 0,5 | Not specified tolerances: ± 0,3 | | |
|  | Hethon Nederland BV Vlietstraat 47-49 7005 BN Doetinchem Email: info@hethon.nl Phone: +31(0)74 2500555 Fax: +31(0)74 2500595 | All rights strictly reserved. Reproduction or issue to third parties in any form whatever is not permitted without written authority from the proprietor. | Drawn by: AF date: 29-05-2015 Approved by: date: |
| | | Drw. Nr. 31-FS-GE / 31-FS-00 | Scale: 1:5 Rev. 0 A3 |